



α Series

Low Voltage DC type

Powerful, high speed motor boosts your productivity

- High speed (1,700 rpm) Models α-4500 or α-6500 increase operating efficiency.
- The α-5000 driver is a compact model having a powerful, high speed motor.
- Features a low voltage power safety design that makes it possible for the user to conduct maintenance.

Variation chart

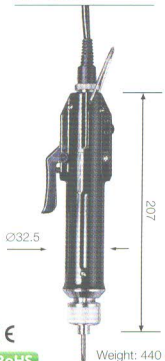
A	Q	B	ESD	C	Q-CR-ESD	D	NL [®]
Suction		Anti-static electricity features		Clean room and anti-static electricity features		Electrical noise is more subdued than in standard tools	

* α series has NL future as standard

Lever Start Type

Push-to-Start Type

α-4500




Weight: 440 g

Variations:

A	B	C	D
●	●	●	●

α-5000

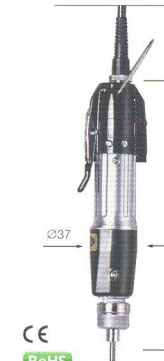


Weight: 440 g

Variations:

A	B	C	D
●	●	●	●

α-6500

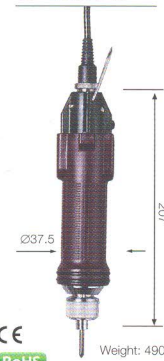


Weight: 660 g

Variations:

A	B	C	D
●	●	●	●

α-4500PS

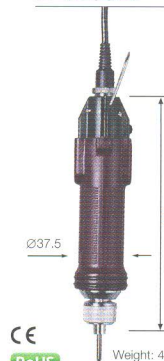


Weight: 490 g

Variations:

A	B	C	D
●	●	-	●

α-5000PS

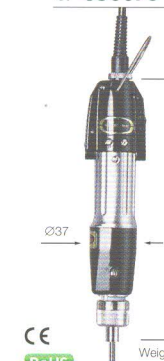


Weight: 490 g

Variations:

A	B	C	D
●	●	-	●

α-6500PS



Weight: 660 g

Variations:

A	B	C	D
●	●	●	●

Accessories for better operation

Pistol attachment PA-65

This attachment converts a standard driver to a pistol-style driver.



RoHS

Compatible model:
α-6500

Angle attachment

ANGL-Z (For Hios shanks)
ANGLX-Z (For hex shanks)

Attach to the end of the driver when there isn't enough space for a standard driver to tighten the target screw.



*Please keep output torque to within 1.5N · m

RoHS

Compatible model:
α-6500 (Lever Start type only)

Push-start grip attachment PS-1 · PS-2

Converts the starting system of a mini size driver from lever-start to push-start.



RoHS

Compatible model:
PS-1: α-4500, α-5000

Specifications

Lever Start type Model		α-4500	α-5000	α-6500
Push-to-Start type Model		α-4500PS	α-5000PS	α-6500PS
Output Torque Range	N·m	0.4 - 0.8	0.4 - 1.2	0.5 - 1.8
	lbf·in	3.5 - 7	3.5 - 10	4.3 - 16
	(kgf·cm)	(4 - 8)	(4 - 12)	(5 - 18)
Torque Switching		Stepless Adjustment	Stepless Adjustment	Stepless Adjustment
Unloaded Rotation Speed (r.p.m)	HI	1700	1000	1700
	LOW	1200	700	1200
Screw Size (mm)	Small Size Screw	2.0 - 3.0	2.0 - 3.0	3.0 - 4.0
	Tapping Screw	2.0 - 2.6	2.0 - 3.0	2.6 - 3.0
Bit Type		Hios H4 or 1/4HEX	Hios H4 or 1/4HEX	Hios H5 or 1/4HEX
Power Pack		CLT-60	○	○
		CLT-100	○	○
		MC-70L	○	○
Accessories	Bit	(H4)	+ #1(∅4.0 x 40 mm) 1 piece + #2(∅4.0 x 40 mm) 1 piece	+ #1(∅5 x 60 mm) 1 piece + #2(∅5 x 60 mm) 1 piece
		(H5)		
	(1/4 HEX)	+ #1(∅5 x 50 mm) 1 piece + #2(∅5 x 50 mm) 1 piece -(∅5 x 50 mm) 1 piece	+ #1(∅5 x 50 mm) 1 piece + #2(∅5 x 50 mm) 1 piece -(∅5 x 50 mm) 1 piece	+ #1(∅5 x 50 mm) 1 piece + #2(∅5 x 50 mm) 1 piece -(∅5 x 50 mm) 1 piece
	Carbon brush (Order code)	1 pair (A45-0420)	1 pair (A45-0420)	1 pair (CL65-0490)
Cord Length (m)		1.5 m (5P)	1.5 m (5P)	2 m (5P)

Ordercode
→P19